

SUN2000-196KTL-H3

Smart photovoltaic controller



Support for IV diagnosis



The maximum efficiency is greater than 99%



No fuse design



IP 66 protection grade



The 14-way high-precision group string detection



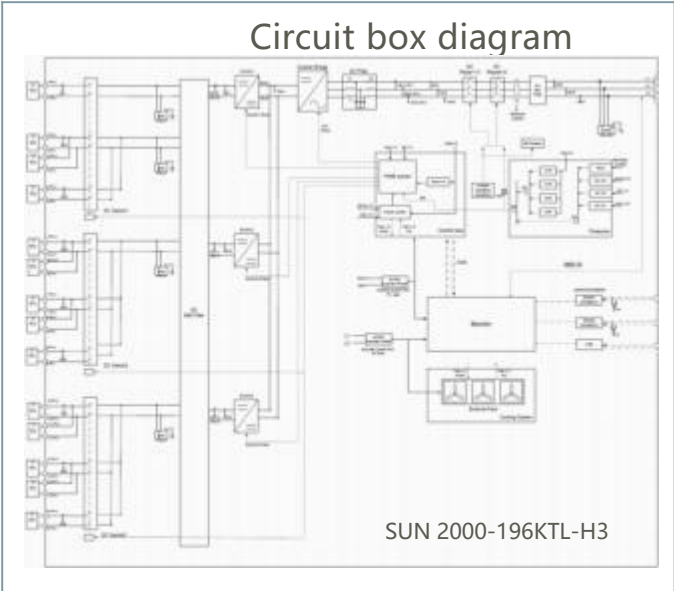
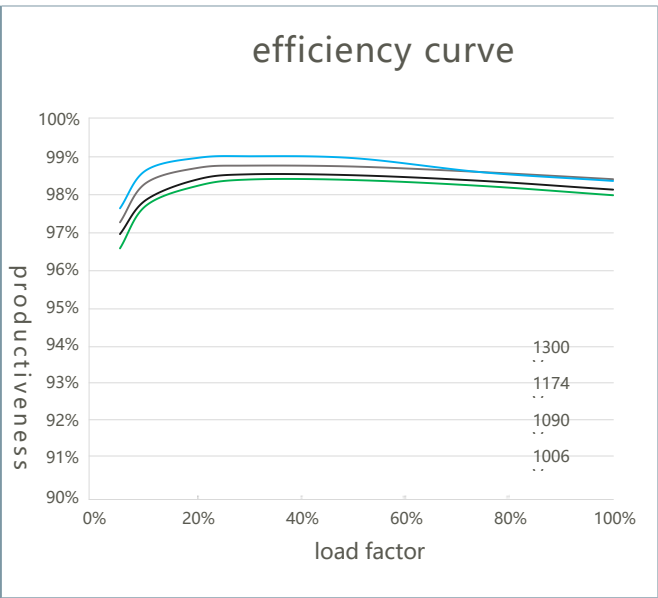
100A/MPPT



Support for intelligent group string division



Built-in AC / DC lightning protection system



Technical

parameters of SUN 2000- 196 KTL-H3

productiveness	
maximal efficiency	≥99.0%
China's efficiency	≥98.4%
import	
maximum input voltage	1,500 V
MPPT quantity	3
Maximum input current per channel of MPP T	100A/100A/100A
Number of input group strings per MPPT	4/5/5
MPPT voltage range	500 V ~ 1,500 V
Rated input voltage	1,080 V
output	
output rating	196,000 W
Maximum vision in power	216,000 VA
Maximum active power (cos φ = 1)	216,000 W
Rated output voltage	800 V, 3W + PE
Output voltage frequency	50 Hz
rated output current	141.5 A
maximum output current	155.9 A
power factor	0.8 ahead of the 0.8 lag...
Maximum total harmonic distortion	< 1%
protect	
Input the DC switch	support
Prevent island protection	support
Output over current protection	support
Input backconnection protection	support
Group string fault detection	support
DC surge protection	Type II
AC-surge protection	Type II
Insulation impedance detection	support
Residual current monitoring	support
Display and communication	
show	LED indicator, Bluetooth / WLAN + APP
RS 485	support
U SB	support
MBUS	support
Convent	
Dimensions (width x height x thick)	1,035 x 700 x 365 mm
Weight (including the	≤86 kg
	-25 °C ~ 60 °C

hanger)
working temperature
cooling-down method
Maximum work altitude
relative humidity
input terminal
leading-out terminal
levels of protection

topology

	Intelligent air cooling
	5,000 m (> 4,000 m drop)
	0 ~ 100%
	MC4 EV O 2
	Waterproof terminal + OT / DT terminal
	IP66
	No transformer

